

Pi-CON AT-SKY

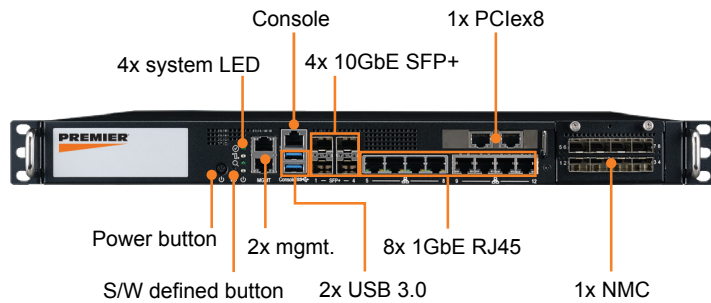
Remote manageable 1U network appliance for uCPE and Next-Generation Firewall (NGFW) with Intel® Xeon® D-2100 series processor



Features

- Scalable Intel Xeon D-2100 series processor up to 18C/36T with optional Intel® QAT and DPDK to boost performance
- Robust enclosure design with flexible system integration capability
- Value-added platform with PREMIER S/W package offering for out-of-band management or remote monitoring and Advanced LAN bypass utility
- Optimized foundation for the development of uCPE and NGFW solutions

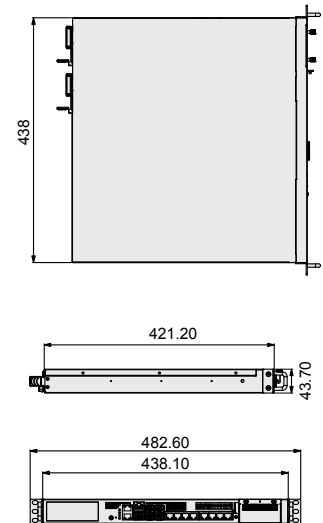
Front Panel External I/O



Rear Panel External I/O



Dimensions



Unit: mm

OPTIONAL ACCESSORIES

» Power cord 3P 180 cm, USA	» Power cord 3P 180 cm, EU	» Power cord 3P 180 cm, UK	» Power cord 3P 180 cm, JP
» Power cord 3P 180 cm, China	» Slide rail	» Console cable D-SUB9P(F)/RJ45 220 cm	

ORDERING INFORMATION

CPU	Core/thread	Base frequency	QAT	DDR4	BMC	10 GbE SFP+	1 GbE RJ45	PCIe8	NMC	VGA	System FAN	Power supply	Redundancy
Intel® Xeon® D-2123IT	4/8	2.2 GHz	None	4	None	2	8	1	1	None	2	250W ATX	None
Intel® Xeon® D-2145NT	8/16	1.8 GHz	20G	4	Yes	4	8	1	1	1	2	300W AC	Yes

SPECIFICATIONS			
Form factor		1U Rackmount	
Processor system	Processor Core Count Frequency L2 Cache BIOS	Intel® Xeon® D-2100 Series Processor 4~18 Depends on processor sku Depends on processor sku AMI EFI 64 Mbit	
Virtualization		VT-x, VT-d, EPT	
Memory	Technology Max capacity Socket ECC Support	DDR4, 2133/2400/2666 MHz 256 GB 4x 288-pin RDIMM Yes	
Networking	Controller 1 GbE 10 GbE LAN bypass	1 x Intel® X722, 2x Intel® I350, 2x Intel i210 4 x 10/100/1000 Mbps RJ45 via Intel® I350-AM4, 4x 10/100/1000 Mbps RJ45 via Intel® I350-AM4 (Option: Advanced LAN bypass), 2x 10/100/1000 Mbps RJ45 via Intel® i210-AT for management 2x 10 GbE SFP+ via Intel X722 Option: 2-segment (4x ports) Advanced LAN bypass	4x 10 GbE SFP+ via Intel X722
Expansion	PCIe NMC	1x PCIe x8 (Low-profile) 1	
Storage	2.5" HDD/SSD M.2 SSD/NVMe	2 (Internal) 2x M.2 2280	
I/O	Console port USB 3.0 LED Indicator Others	1 2 1x power LED, 3x software-defined LED 1x power button, 1x software-defined button	1x power LED, 1x Alert LED, 1x locate LED, 1x software-defined LED
TPM		None (Option: Infineon TPM1.2/2,0 module)	
LCD module		None (Option: 21 columns x 4 lines text display)	
Power	Power Type Watts Input Connector	Single ATX 250W 100V~240V ATX power	Redundant 1+0 AC 300W CRPS
Environment	Operating temperature (airflow 0.7 m/sec) Nonoperating temperature Vibration resistance Shock protection	0~40°C (32~104°F) -20~80°C (-4~167° F) and 40°C @ 95% RH noncondensing TBD TBD	
Cooling		Maximum 4x system FAN	
Mechanical	Construction Mounting Dimensions (W x H x D) Weight	Steel 1U rackmount 438 x 44 x 420 mm (17.2" x 1.7" x 16.5") TBD	
OS support		Linux (CentOS, Fedora, Red Hat, Ubuntu)	
PREMIER S/W packages		TBD	
IPMI			IPMI v2.0 compliant, with web interface, IKVM on request (PREMIER IPMI Core)
Certification		TBD	



Communication products to depend on.™



3305 Hwy 60 West
Faribault, MN 55021
1.800.755.1950
uCPE@kgpco.com
kgpco.com/uCPE

© 2019 All rights reserved. The name PREMIER and the PREMIER logo are registered trademarks or trademarks of KGP Co, incorporated in the USA. All other names/logos are properties of their respective owners. Specifications are subject to change without notice.

KGP Co.

Intel, the Intel logo, and Xeon are trademarks of Intel Corporation or its subsidiaries in the U.S. and/or other countries.

*Other names and brands may be claimed as the property of others.

© Intel Corporation